

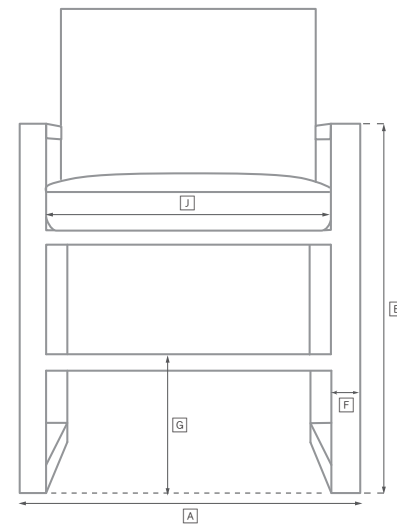
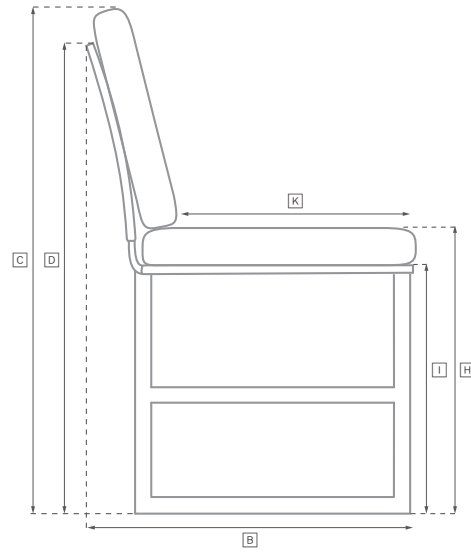
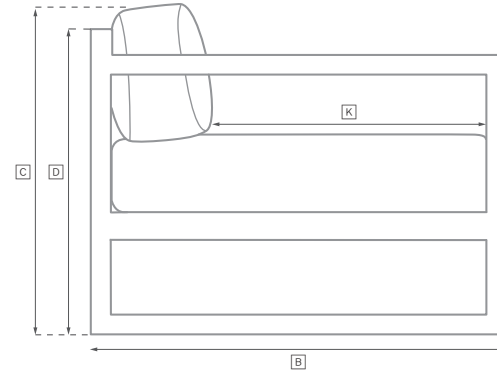
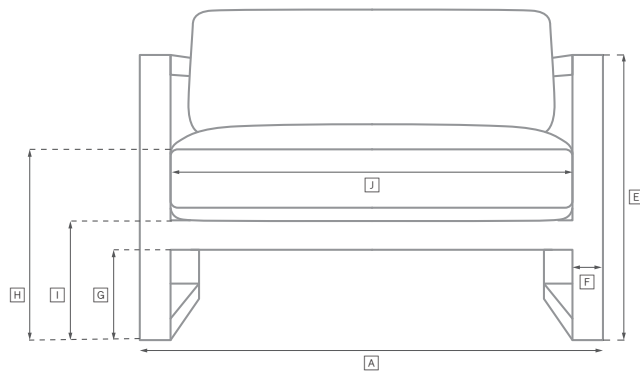
VIGO TEAK SEATING COLLECTION

All dimensions are given in centimeters; all weights are given in kg. See the attached "Dimensions Diagram" sheet for more information on the keys used in this chart.

| | OVERALL WIDTH A | OVERALL DEPTH B | OVERALL HEIGHT W/ CUSHION C | FRAME HEIGHT D | ARM HEIGHT E | ARM WIDTH F | FOOT HEIGHT G | SEAT HEIGHT W/ CUSHION H | SEAT HEIGHT (FLOOR TO FRAME) I | INSIDE SEAT WIDTH J | INSIDE SEAT DEPTH K | NUMBER OF BACK CUSHIONS | NUMBER OF SEAT CUSHIONS | WEIGHT |
|---------------------|--------------------|--------------------|-----------------------------------|-------------------|-----------------|----------------|------------------|--------------------------------|--------------------------------------|------------------------|------------------------|----------------------------|----------------------------|--------|
| 213CM SOFA | 213 | 70 | 69 | 69 | - | - | - | 39 | 20 | 201 | 56 | 1 | 1 | 53.1 |
| 244CM SOFA | 244 | 70 | 69 | 69 | - | - | - | 39 | 20 | 231 | 56 | 1 | 1 | 59.0 |
| LOUNGE CHAIR | 80 | 70 | 69 | 69 | - | - | - | 39 | 20 | 74 | 70 | 1 | 1 | 23.1 |
| SWIVEL LOUNGE CHAIR | 74 | 80 | 69 | 69 | - | - | - | 39 | 9 | 74 | 70 | 1 | 1 | 25.9 |
| CHAISE | 203 | 80 | 33 | 20 | - | - | - | 33 | 20 | 125 | 73 | 1 | 1 | 34.9 |
| OTTOMAN | 80 | 74 | 39 | 20 | - | - | - | 39 | 20 | 75 | 74 | 0 | 1 | 18.1 |
| DINING SIDE CHAIR | 53 | 65 | 76 | 76 | - | - | - | 48 | 41 | 53 | 55 | 1 | 1 | 15.9 |

OUTDOOR SEATING DIMENSIONS DIAGRAM

See the "Dimensions Sheet" for the measurements that correspond with the letters below.



OUTDOOR SEATING DIMENSIONS DIAGRAM

See the "Dimensions Sheet" for the measurements that correspond with the letters below.

RH

