

# COSTA TEAK SEATING COLLECTION



All dimensions are given in centimeters; all weights are given in kg. See the attached "Dimensions Diagram" sheet for more information on the keys used in this chart.

	OVERALL WIDTH A	OVERALL DEPTH B	OVERALL HEIGHT W/ CUSHION C	FRAME HEIGHT D	ARM HEIGHT E	ARM WIDTH F	FOOT HEIGHT G	SEAT HEIGHT W/ CUSHION H	SEAT HEIGHT (FLOOR TO FRAME) I	INSIDE SEAT WIDTH J	INSIDE SEAT DEPTH K	NUMBER OF BACK CUSHIONS	NUMBER OF SEAT CUSHIONS	WEIGHT
140CM CLASSIC SOFA	140	91	85	69	48	6	3	36	17	127	53	2	1	41.3
196CM CLASSIC SOFA	196	91	85	69	48	6	3	36	17	183	53	2	1	55
254CM CLASSIC SOFA	254	91	85	69	48	6	3	36	17	241	53	2	2	68.0
152CM LUXE SOFA	152	101	94	75	51	6	3	41	19	140	61	2	1	-
213CM LUXE SOFA	213	101	94	75	51	6	3	41	19	201	61	2	1	62.6
274CM LUXE SOFA	274	101	94	75	51	6	3	41	19	262	61	2	1	76.2
CLASSIC LOUNGE CHAIR	74	91	85	69	48	6	3	36	17	61	53	1	1	-
LUXE LOUNGE CHAIR	81	101	94	75	51	6	3	41	19	69	61	1	1	32.2
CLASSIC SWIVEL CHAIR	74	91	85	69	48	6	3	36	17	61	53	1	1	-
LUXE SWIVEL CHAIR	81	101	94	75	51	6	3	41	19	69	61	1	1	47.2
CLASSIC OTTOMAN	62	48	36	17	-	-	3	36	17	57	43	-	1	10.0
LUXE OTTOMAN	74	60	41	19	-	-	3	41	19	69	55	-	1	14.1
CHAISE	71	206	86	83	-	-	3	25	17	65	116	1	1	33.6
DOUBLE CHAISE	140	206	86	83	-	-	3	25	17	135	116	2	2	62.1

# COSTA TEAK SEATING COLLECTION



All dimensions are given in centimeters; all weights are given in kg. See the attached "Dimensions Diagram" sheet for more information on the keys used in this chart.

	OVERALL WIDTH A	OVERALL DEPTH B	OVERALL HEIGHT W/ CUSHION C	FRAME HEIGHT D	ARM HEIGHT E	ARM WIDTH F	FOOT HEIGHT G	SEAT HEIGHT W/ CUSHION H	SEAT HEIGHT (FLOOR TO FRAME) I	INSIDE SEAT WIDTH J	INSIDE SEAT DEPTH K	NUMBER OF BACK CUSHIONS	NUMBER OF SEAT CUSHIONS	WEIGHT
CANOPY DAYBED	173	224	198	198	-	-	3	41	20	152	203	-	1	151.0
CLASSIC TWO-SEAT ARMLESS SOFA	127	91	85	69	-	-	3	36	17	122	53	2	1	33.6
LUXE TWO-SEAT ARMLESS SOFA	137	101	94	75	-	-	3	41	19	132	61	2	1	59.9
CLASSIC TWO-SEAT LEFT-ARM SOFA	133	91	85	69	48	6	3	36	17	127	53	2	1	35
LUXE TWO-SEAT LEFT-ARM SOFA	144	101	94	75	51	6	3	41	19	137	61	2	1	38.6
CLASSIC TWO-SEAT RIGHT-ARM SOFA	133	91	85	69	48	6	3	36	17	127	53	2	1	35
LUXE TWO-SEAT RIGHT-ARM SOFA	144	101	94	75	51	6	3	41	19	137	61	2	1	38.6
CLASSIC FOUR-SEAT LEFT-ARM RETURN SOFA	289	91	85	69	48	6	3	36	17	251	53	3	1	66.2
LUXE FOUR-SEAT LEFT-ARM RETURN SOFA	312	101	94	75	51	6	3	41	19	274	61	3	1	69.9
CLASSIC FOUR-SEAT RIGHT-ARM RETURN SOFA	289	91	85	69	48	6	3	36	17	251	53	3	1	66.2
LUXE FOUR-SEAT RIGHT-ARM RETURN SOFA	312	101	94	75	51	6	3	41	19	274	61	3	1	69.9
CLASSIC LEFT-ARM CHAISE	70	178	85	69	48	6	3	36	17	64	142	1	1	32.2
LUXE LEFT-ARM CHAISE	75	187	94	75	51	6	3	41	19	69	147	1	1	36.3
CLASSIC RIGHT-ARM CHAISE	70	178	85	69	48	6	3	36	17	64	142	1	1	32.2

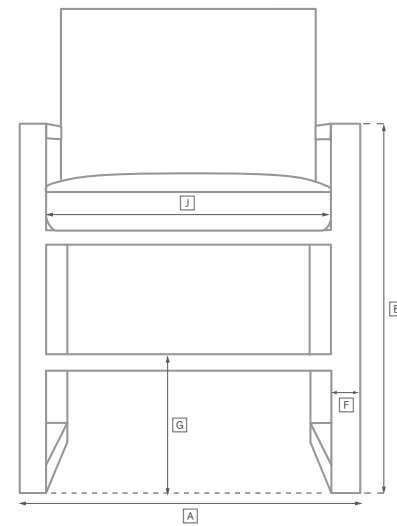
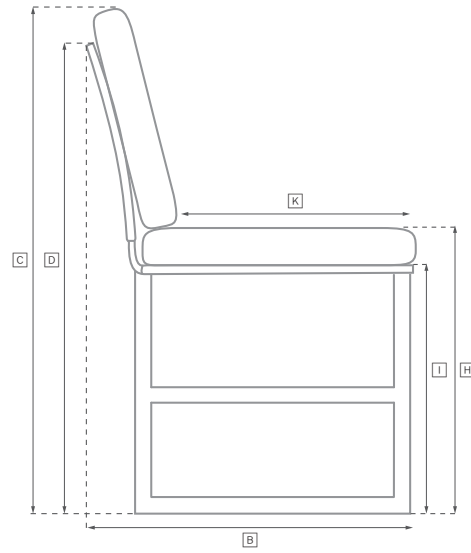
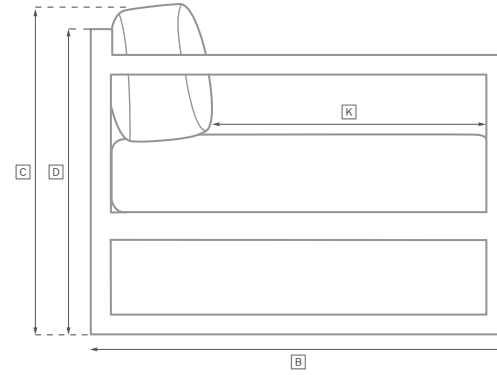
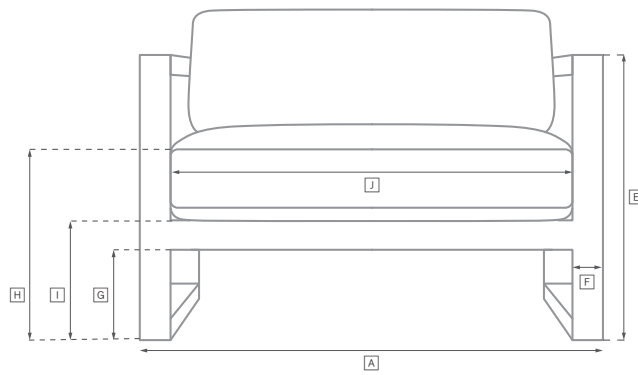
# COSTA TEAK SEATING COLLECTION

All dimensions are given in centimeters; all weights are given in kg. See the attached "Dimensions Diagram" sheet for more information on the keys used in this chart.

	OVERALL WIDTH A	OVERALL DEPTH B	OVERALL HEIGHT W/ CUSHION C	FRAME HEIGHT D	ARM HEIGHT E	ARM WIDTH F	FOOT HEIGHT G	SEAT HEIGHT W/ CUSHION H	SEAT HEIGHT (FLOOR TO FRAME) I	INSIDE SEAT WIDTH J	INSIDE SEAT DEPTH K	NUMBER OF BACK CUSHIONS	NUMBER OF SEAT CUSHIONS	WEIGHT
LUXE RIGHT-ARM CHAISE	75	187	94	75	51	6	3	41	19	69	147	1	1	36.3
DINING SIDE CHAIR	51	57	84	84	-	-	-	46	41	51	44	-	1	7.7
DINING ARMCHAIR	58	57	84	84	64	4	-	46	41	51	44	-	1	11
COUNTER STOOL	51	56	102	102	-	-	-	69	64	51	44	-	1	9.5
BARSTOOL	51	56	112	112	-	-	-	79	74	51	44	-	1	9.5

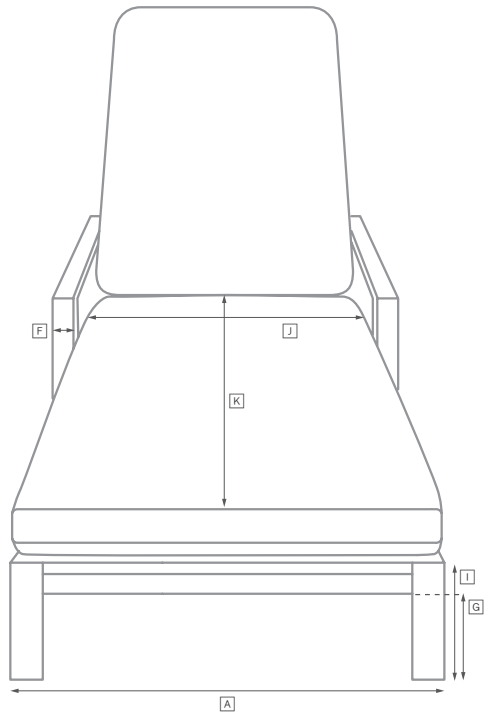
# OUTDOOR SEATING DIMENSIONS DIAGRAM

See the "Dimensions Sheet" for the measurements that correspond with the letters below.

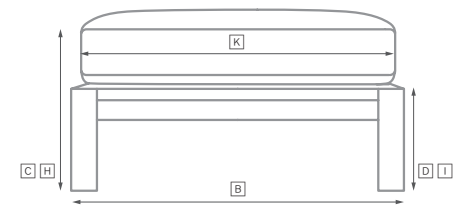
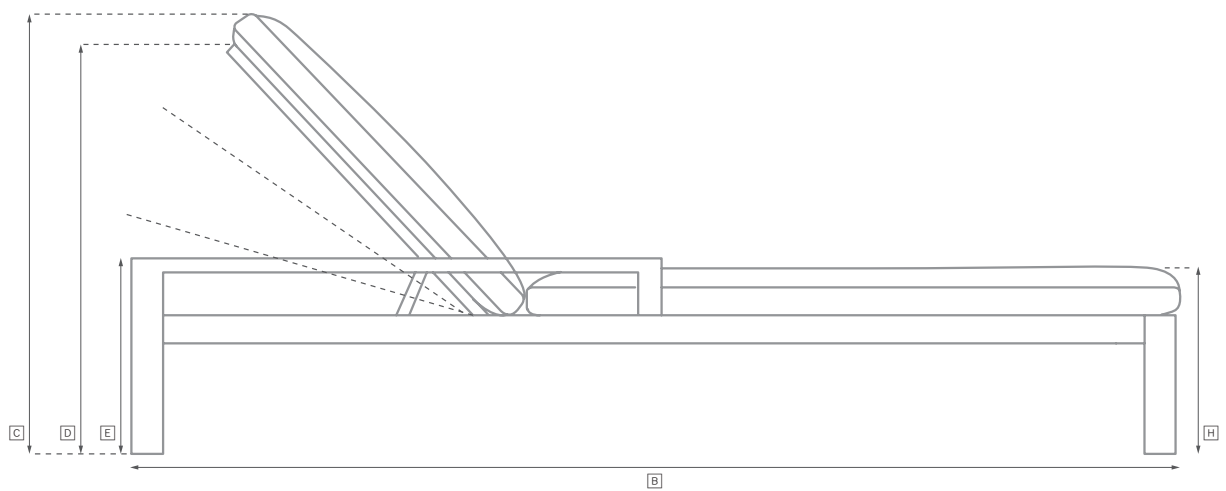


# OUTDOOR SEATING DIMENSIONS DIAGRAM

See the "Dimensions Sheet" for the measurements that correspond with the letters below.



FRONT



SIDE