

AEGEAN ALUMINUM SEATING COLLECTION



All dimensions are given in centimeters; all weights are given in kg. See the attached "Dimensions Diagram" sheet for more information on the keys used in this chart.

	OVERALL WIDTH A	OVERALL DEPTH B	OVERALL HEIGHT W/ CUSHION C	FRAME HEIGHT D	ARM HEIGHT E	ARM WIDTH F	FOOT HEIGHT G	SEAT HEIGHT W/ CUSHION H	SEAT HEIGHT (FLOOR TO FRAME) I	INSIDE SEAT WIDTH J	INSIDE SEAT DEPTH K	NUMBER OF BACK CUSHIONS	NUMBER OF SEAT CUSHIONS	WEIGHT
144CM CLASSIC SOFA	144	74	64	61	61	5	18	37	25	132	58	1	1	21.3
210CM CLASSIC SOFA	210	74	64	61	61	5	18	37	25	198	58	2	1	29.0
276CM CLASSIC SOFA	276	74	64	61	61	5	18	37	25	264	58	2	1	41.7
162CM LUXE SOFA	162	85	65	62	62	6	18	41	24	149	69	1	1	40.4
235CM LUXE SOFA	235	85	65	62	62	6	18	41	24	222	69	2	1	51.3
284CM LUXE SOFA	284	85	65	62	62	6	18	41	24	272	69	2	1	72.1
312CM LUXE SOFA	312	85	64	62	62	6	18	41	24	300	69	2	1	-
CLASSIC LOUNGE CHAIR	77	74	64	61	61	5	18	37	25	66	58	1	1	23.1
LUXE LOUNGE CHAIR	87	85	65	62	62	6	18	41	24	74	69	1	1	34.0
CLASSIC OTTOMAN	66	70	64	25	-	-	18	37	25	66	70	-	1	14.1
LUXE OTTOMAN	81	75	37	24	-	-	18	41	24	81	75	-	1	24.0
COFFEE OTTOMAN	150	81	39	24	-	-	18	41	24	150	81	-	1	21.3
DAYBED	168	191	65	63	-	-	-	41	25	168	174	2	1	82.1
CHAISE	65	201	89	86	-	-	22	38	32	65	128	1	1	30.8

AEGEAN ALUMINUM SEATING COLLECTION



All dimensions are given in centimeters; all weights are given in kg. See the attached "Dimensions Diagram" sheet for more information on the keys used in this chart.

	OVERALL WIDTH A	OVERALL DEPTH B	OVERALL HEIGHT W/ CUSHION C	FRAME HEIGHT D	ARM HEIGHT E	ARM WIDTH F	FOOT HEIGHT G	SEAT HEIGHT W/ CUSHION H	SEAT HEIGHT (FLOOR TO FRAME) I	INSIDE SEAT WIDTH J	INSIDE SEAT DEPTH K	NUMBER OF BACK CUSHIONS	NUMBER OF SEAT CUSHIONS	WEIGHT
DOUBLE CHAISE	126	201	89	86	-	-	22	38	32	126	128	2	1	49.4
STACKING CHAISE	74	203	86	86	-	-	-	30	30	74	127	-	-	29.0
CLASSIC TWO-SEAT ARMLESS SOFA	132	74	64	61	-	-	18	37	25	132	58	1	1	30.8
LUXE TWO-SEAT ARMLESS SOFA	150	85	65	62	-	-	18	41	24	150	69	1	1	30.8
CLASSIC TWO-SEAT LEFT-ARM SOFA	138	74	64	61	61	5	18	37	25	133	58	1	1	33.1
LUXE TWO-SEAT LEFT-ARM SOFA	156	85	65	62	62	6	18	41	24	150	69	1	1	41.7
CLASSIC TWO-SEAT RIGHT-ARM SOFA	138	74	64	61	61	5	18	37	25	133	58	1	1	33.1
LUXE TWO-SEAT RIGHT-ARM SOFA	156	85	65	62	62	6	18	41	24	150	69	1	1	41.7
CLASSIC THREE-SEAT LEFT-ARM RETURN SOFA	208	74	64	61	61	5	18	37	25	186	58	3	1	49.9
LUXE THREE-SEAT LEFT-ARM RETURN SOFA	235	85	65	62	62	6	18	41	24	210	69	3	1	49.9
CLASSIC THREE-SEAT RIGHT-ARM RETURN SOFA	208	74	64	61	61	5	18	37	25	186	58	3	1	49.9
LUXE THREE-SEAT RIGHT-ARM RETURN SOFA	235	85	65	62	62	6	18	41	24	210	69	3	1	49.9
CLASSIC FOUR-SEAT LEFT-ARM RETURN SOFA	274	74	64	61	61	5	18	37	25	253	58	3	1	61.2
LUXE FOUR-SEAT LEFT-ARM RETURN SOFA	310	85	65	62	62	6	18	41	24	284	69	3	1	63.5

AEGEAN ALUMINUM SEATING COLLECTION



All dimensions are given in centimeters; all weights are given in kg. See the attached "Dimensions Diagram" sheet for more information on the keys used in this chart.

	OVERALL WIDTH A	OVERALL DEPTH B	OVERALL HEIGHT W/ CUSHION C	FRAME HEIGHT D	ARM HEIGHT E	ARM WIDTH F	FOOT HEIGHT G	SEAT HEIGHT W/ CUSHION H	SEAT HEIGHT (FLOOR TO FRAME) I	INSIDE SEAT WIDTH J	INSIDE SEAT DEPTH K	NUMBER OF BACK CUSHIONS	NUMBER OF SEAT CUSHIONS	WEIGHT
CLASSIC FOUR-SEAT RIGHT-ARM RETURN SOFA	274	74	64	61	61	5	18	37	25	253	58	3	1	61.2
LUXE FOUR-SEAT RIGHT-ARM RETURN SOFA	310	85	65	62	62	6	18	41	24	284	69	3	1	63.5
CLASSIC LEFT-ARM CHAISE	76	136	64	61	61	5	18	37	25	70	119	1	1	30.8
LUXE LEFT-ARM CHAISE	87	154	65	62	62	6	-	41	24	81	137	1	1	39.0
CLASSIC RIGHT-ARM CHAISE	76	136	64	61	61	5	18	37	25	70	119	1	1	30.8
LUXE RIGHT-ARM CHAISE	87	154	65	62	62	6	-	41	24	81	137	1	1	39.0
130CM DINING BENCH	130	38	48	42	-	-	-	48	42	130	38	-	1	10.9
160CM DINING BENCH	160	38	48	42	-	-	-	48	42	160	38	-	1	22.2
194CM DINING BENCH	194	38	48	42	-	-	-	48	42	194	38	-	1	27.2
220CM DINING BENCH	220	38	48	42	-	-	-	48	42	220	38	-	1	29.0
250CM DINING BENCH	250	38	48	42	-	-	-	48	42	250	38	-	1	34.0
DINING SIDE CHAIR	50	60	84	84	-	-	36	46	44	50	46	-	1	11.3
DINING ARMCHAIR	58	60	84	84	61	4	36	46	44	50	46	-	1	12.0
BARSTOOL	58	51	112	112	93	4	30	76	76	50	48	-	-	10.0

AEGEAN ALUMINUM SEATING COLLECTION

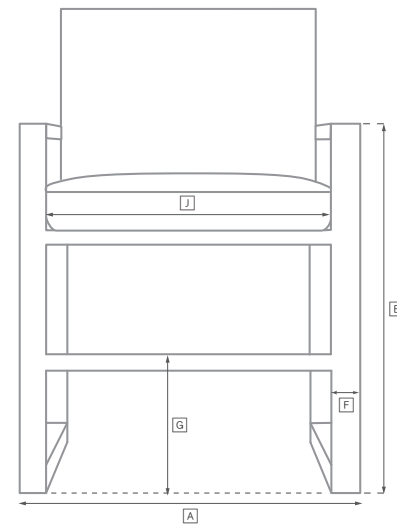
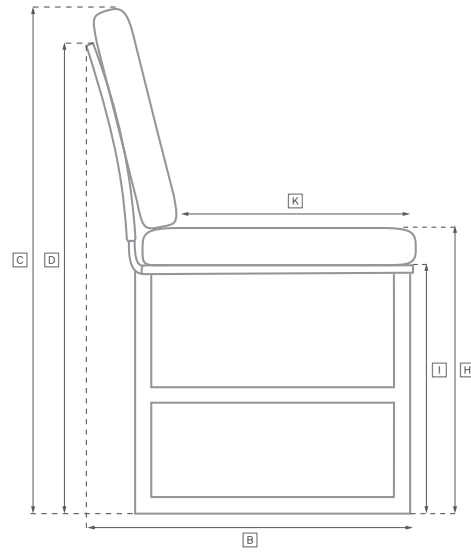
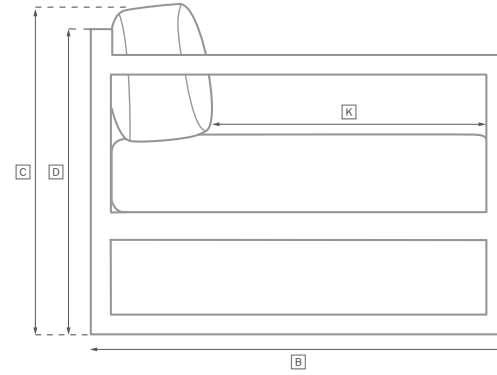
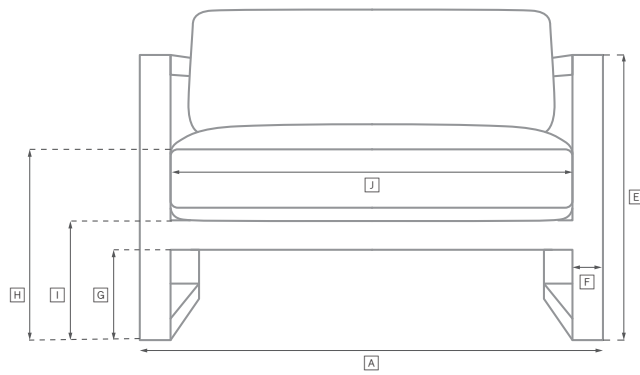


All dimensions are given in centimeters; all weights are given in kg. See the attached "Dimensions Diagram" sheet for more information on the keys used in this chart.

	OVERALL WIDTH A	OVERALL DEPTH B	OVERALL HEIGHT W/ CUSHION C	FRAME HEIGHT D	ARM HEIGHT E	ARM WIDTH F	FOOT HEIGHT G	SEAT HEIGHT W/ CUSHION H	SEAT HEIGHT (FLOOR TO FRAME) I	INSIDE SEAT WIDTH J	INSIDE SEAT DEPTH K	NUMBER OF BACK CUSHIONS	NUMBER OF SEAT CUSHIONS	WEIGHT
COUNTER STOOL	58	51	102	102	84	4	20	66	66	50	48	-	-	9.1

OUTDOOR SEATING DIMENSIONS DIAGRAM

See the "Dimensions Sheet" for the measurements that correspond with the letters below.



OUTDOOR SEATING DIMENSIONS DIAGRAM

See the "Dimensions Sheet" for the measurements that correspond with the letters below.

RH

