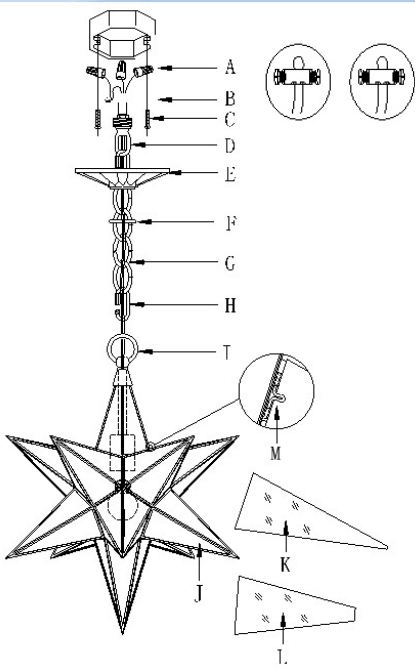


RESTORATION HARDWARE

MEDIUM MORAVIAN STAR PENDANT

PARTS ENCLOSED

- (A) Wire nut (3)
- (B) Cross bar (1)
- (C) Screw (2)
- (D) Ceiling loop (1)
- (E) Canopy (1)
- (F) Lock collar (1)
- (G) Chain (1)
- (H) Link (1)
- (I) Top loop
- (J) Metal frame (1)
- (K) Glass panels (55)
- (L) Glass panels (5)
- (M) Panel door



TO ASSEMBLE SAFETY CABLES:

1. Join fixture safety cables with safety cable from ceiling.
2. Wrap both safety cables around the cable lock nut.
3. Insert screws into both holes on cable lock nut and secure screws with screwdriver.
4. Push the cable lock nut into outlet box.

CARE INSTRUCTIONS:

Wipe all surfaces with a soft dry cloth. Clean glass with a mild soap and water mixture. Do not use any harsh cleaners (including ammonia-based products) or abrasives, as they will damage the finish.

IMPORTANT SAFETY INSTRUCTIONS:

WE RECOMMEND INSTALLATION BY A LICENSED ELECTRICIAN.

This fixture has been rated for one (1) TYPE A 40W bulb (not included) OR one (1) 9W compact fluorescent bulb (not included). To avoid the risk of fire, do not exceed the recommended wattage.

WARNINGS:

1. All wires are connected.
2. Do not remove the lamp from its packaging by pulling on the power cord, as a bad connection may result.
3. Do not connect electricity until your lamp is fully assembled.
4. To reduce the risk of fire, electrical shock, or personal injury, always turn off and unplug lamp and allow it to cool prior to replacing light bulb.
5. Do not touch bulb when fixture is turned on or look directly at lit bulb.
6. Keep flammable materials away from lit bulb.
7. This lighting fixture contains lead, a chemical known to the State of California to cause cancer, birth defects and other reproductive harm. Wash hands after installing, handling, cleaning or otherwise touching this light fixture.

TO ASSEMBLE:

1. SHUT OFF THE MAIN ELECTRICAL SUPPLY FROM THE MAIN FUSE BOX/CIRCUIT BREAKER!
2. Carefully unpack your chandelier and lay each piece on a clean, soft surface.
3. Make certain that all of the parts shown are present. Do not discard packaging material until installation is complete. If any part is broken or missing do not attempt to install fixture.
4. Gently pull house wiring down from the ceiling junction box and allow them to hang.
5. Install the crossbar (B) with ceiling loop (D) to outlet box by using mounting screws (C).
6. Attach one end of chain (F) to fixture top loop (I) using an end link with threaded collar.
7. Determine the proper hanging length of your fixture, and remove excess chain (G) using chain pliers.
8. Slip the lock collar (F) and canopy (E) over the chain as shown in the diagram, and allow them to rest on the top loop (I).
9. Attach the chain (G) to the ceiling loop (D) using an end link with threaded collar.
10. Fit the glass panels (K) 55PCS and panels (L) 5PCS on the lamp body, and fasten by bending back the metal tabs.
11. Unwrap the wiring from the top of the fixture body. Weave the power supply cord and the ground wire through the chain (G), lock collar (F), and canopy (E).
12. When you reach the ceiling, measure the wires and cut. Be certain to leave approximately 15" of additional wire length to connect to house power.
13. Carefully inspect the lantern's two fixture wires. One has very fine ridges molded into the plastic covering – this is the NEUTRAL WIRE. The second wire's covering is smooth – this is the HOT WIRE. The bare copper wire is the GROUND WIRE.
14. Twist all wires together and push through the center hole in the ceiling loop (D). When wires emerge above cross bar (B), gently pull them back down out of junction box.
15. Attach the bare copper wire from the fixture to the bare copper wire (ground) from the building using the provided wire nut (A). If your house has no bare wire (ground), attach this wire to the green grounding screw inside the outlet box. IT IS IMPERATIVE THAT THIS FIXTURE BE PROPERLY GROUNDED.
16. Attach the NEUTRAL WIRE from the fixture to the neutral wire from the building (usually white) using the provided wire nut (A). Make sure no wire strands are exposed, and wrap with electrical tape.
17. Attach the HOT WIRE from the fixture to the hot wire from the building (usually black) with the provided wire nut (A). Make sure no wire strands are exposed, and wrap with electrical tape.
18. IT IS IMPERATIVE THAT YOU DO NOT REVERSE THE HOT AND NEUTRAL CONNECTIONS OR SAFETY WILL BE COMPROMISED.
19. Neatly tuck the connections into the outlet box.
20. Slide canopy (E) to ceiling, and secure with lock collar (F).
21. Install light bulbs (not included) into sockets.
22. Close the panel door (M) and fix it with metal bolt.
23. Restore power and check for proper operation.